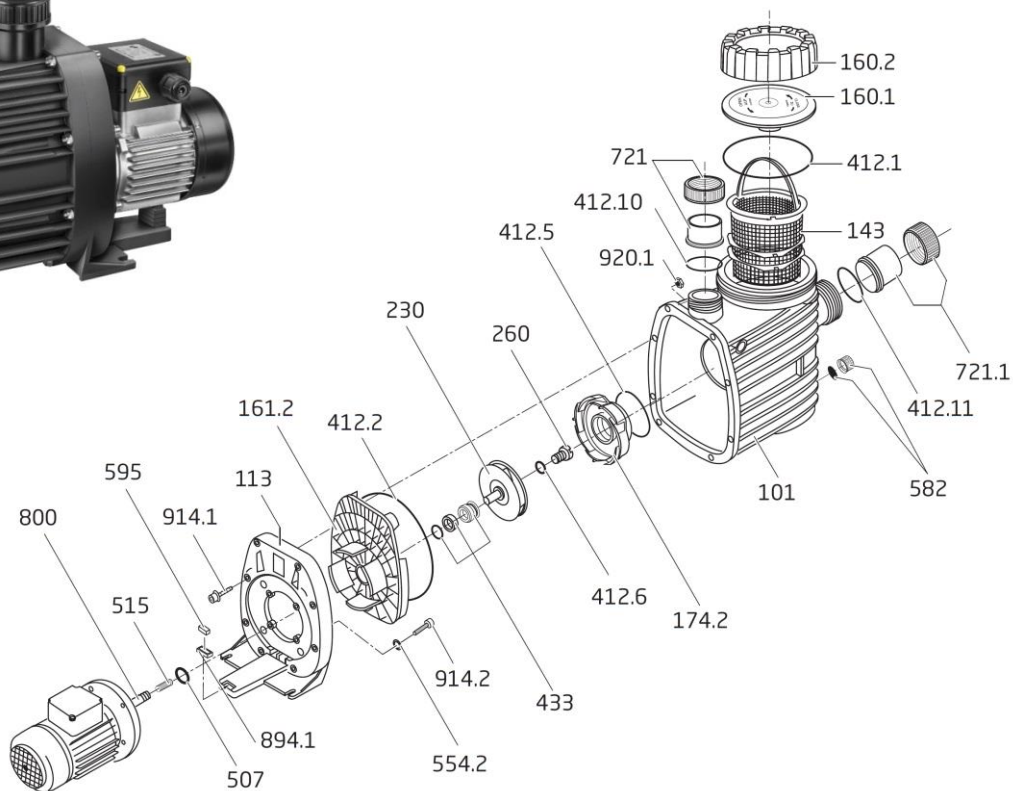


BADU TOP II S 20 + 25



Nr części	Ilość w pompie	Kod	Cena netto w EURO / szt
czarna 101 - komplet	1	2921.110.115	144,91
113	1	2921.111.305	43,72
143	1	2920.314.300	15,42
160.1	1	2921.116.010	34,17
160.2	1	2921.116.020	34,17
161.2	1	2921.316.120	55,84
174.2 do Top II 20	1	2920.317.420	57,20
174.2 do Top II 25	1	2920.317.421	57,20
230 do Top II 20	1	2920.423.002	63,60
230 do Top II 25	1	2901.423.008	69,34
412.1	1	2921.141.210	4,10
412.2	1	2921.141.223	7,24
412.5	1	2920.141.210	2,65
412.6	1	2920.141.241	1,53
412.10	1	2920.141.252	1,21
412.11	1	2921.441.210	1,30
433	1	2920.343.310	47,16
507	1	2920.850.702	0,99
515	1	2920.351.510	4,62
554.2	4	5871.250.802	0,52
582	1	2921.658.200	0,92
595	1	2920.359.501	1,09
412.10, 412.11, 721 + 721.1	1	2921.472.110	17,19
894.1	4	2920.389.410	0,58
914.1	8	2921.191.416	0,71
914.2	4	5879.120.825	0,86
920.1	8	2921.192.015	0,40
Klucz pokrywy		2921.157.700	9,26